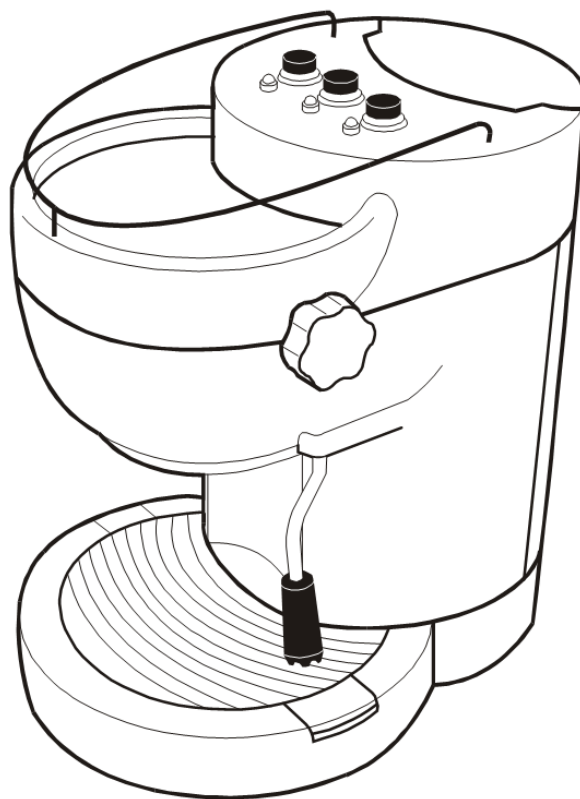


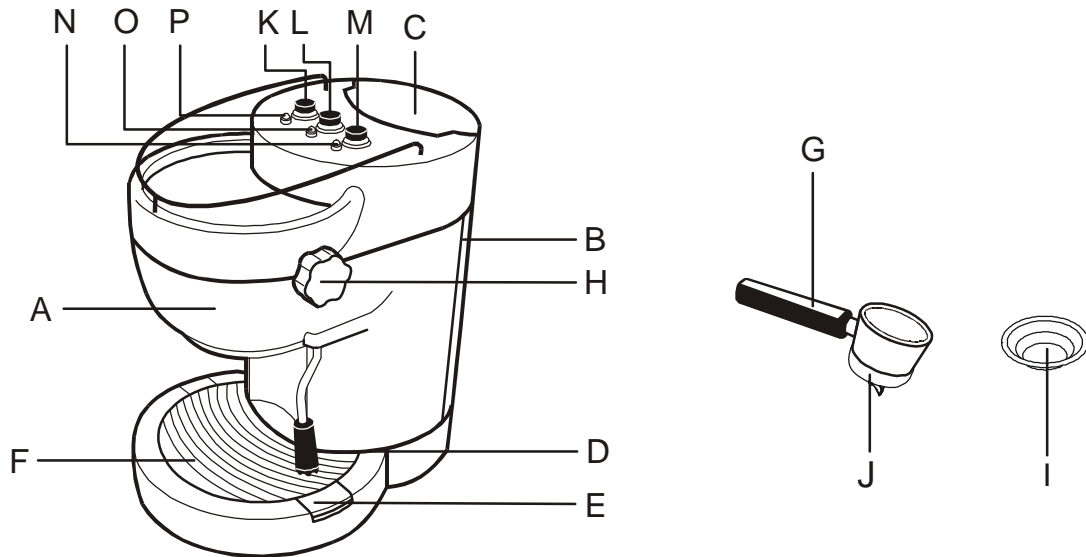


Operators Manual



HomePod Espresso Machine

(30-501) HOMEPOD.1



DESCRIPTION OF COMPONENTS

- A - BODY OF THE APPLIANCE
- B - WATER TANK
- C - WATER TANK COVER
- D - WATER AND STEAM NOZZLE
- E - DRAIN PLATE
- F - GRILL SUPPORT FOR CUPS
- G - FILTER HOLDER
- H - STEAM CONTROL KNOB
- I - POD FILTER
- J - 1 CUP ADAPTOR
- K - ESPRESSO BUTTON
- L - ON / OFF BUTTON
- M - STEAM BUTTON
- N,O,P - INDICATOR LIGHTS

Fig. 1

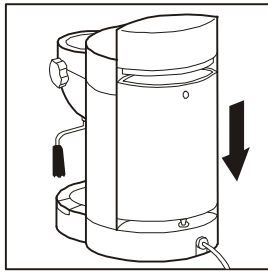


Fig. 2

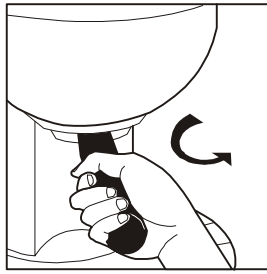


Fig. 3

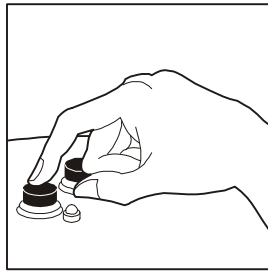


Fig. 4

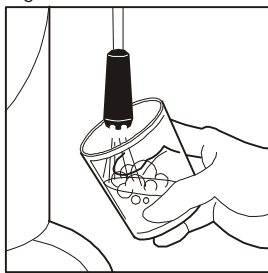


Fig. 5

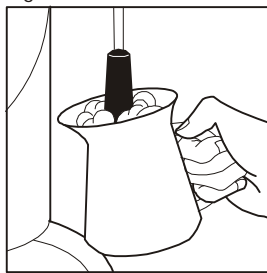


Fig. 6

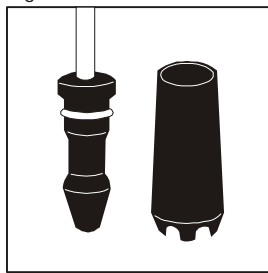
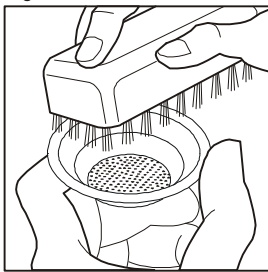


Fig. 7



IMPORTANT SAFEGUARDS

When using electrical appliances, basic safety precautions should always be followed, including the following:

Read all instructions.

Do not switch on the appliance without water in the water tank.

Do not touch hot surfaces. Use handles or knobs.

To protect against fire, electric shock and injury to persons do not immerse cord, plugs, or appliance in water or other liquid.

Close supervision is necessary when any appliance is used by or near children.

Unplug from outlet when not in use and before cleaning. Allow to cool before putting on or taking off parts, and before cleaning the appliance.

Do not operate any appliance with a damaged cord or plug or after the appliance malfunctions, or has been damaged in any manner. Return appliance to the nearest authorized service facility for examination, repair or adjustment.

The use of accessory attachments not recommended by the appliance manufacturer may result in fire, electric shock or injury to persons.

Do not use outdoors.

Do not let cord hang over edge of table or counter, or touch hot surfaces.

Do not place on or near a hot gas or electric burner, or in a heated oven.

Always attach plug to appliance first, then plug cord into the wall outlet. To disconnect, turn any control to "off", then remove plug from wall outlet.

Do not use appliance for other than intended use.

Never leave the appliance at a temperature below 0°C, it could damage the boiler with remaining water.

SAVE THESE INSTRUCTIONS

FOR HOUSEHOLD USE ONLY

BEFORE USE

Please check that all buttons are at OFF position.

Please check that knob (H) is closed by rotating clockwise up to stop position.

Before using the appliance for the first time, wash all loose parts in warm water.

Make sure that all suction cups stick well to the surface. Operate the appliance once as for preparing espresso but without coffee to rinse out all the parts. Fill cold water in the water tank and insert it correctly in its position (fig.1).

Insert the plug into the socket after checking that the voltage is the same as indicated on the appliance's technical data plate.

PREPARING ESPRESSO

Turn on the appliance by pressing the ON /OFF button (L).

Put coffee pod onto filter (I). Insert the holder by turning anticlockwise as far as possible without forcing (fig.2). The appliance is ready to make espresso when the Indicator light (P) goes out. Then press the button for the outflow of coffee (K) (fig.3).

Press the same button (K) a second time will stop the outflow of the coffee.

Attention: do not remove the filter holder when the espresso button (K) is on. Do not remove filter holder immediately after operation as some pressure may still remain.

When the water in the tank is finished or after a long period of time without using it, no particular manipulation is necessary as the appliance is assembled with a special self-priming system.

PREPARING CAPPUCCINO

With this appliance it is also possible to froth milk necessary for making a cappuccino and prepare hot chocolate or heat any other drink.

Attention: Before using the cappuccino nozzle make sure that the filter holder has been removed from its housing. Press the steam button (M) and the warning light (N) will flash over the steam button; the warning light of the espresso button (P) will turn on. Turn anticlockwise the steam control knob (H) - 1 turn / 1 turn and half is more than sufficient - to draw out any water condensation remain in the steam tube. Place a suitable container under the steam nozzle (D) to collect the water (fig. 4). Then close the steam control knob by turning clockwise. The appliance is ready to make steam when the warning light of the espresso button (P) goes out. (Note: During this operation, it is possible that a little quantity of water or steam will come out from the filter holder or from the steam nozzle; this fact is absolutely normal due to

evaporation to reach the right temperature to make a creamy cappuccino.) Immerse the steam nozzle (D) in the jug with the milk and rotate the steam knob (H) - 1 turn / 1 turn and half is more than sufficient - to let the steam out and froth the milk (fig.5). Just a few seconds are necessary to get a thick and creamy froth. The nozzle must not touch the bottom of the jug, otherwise the flow of steam may be hindered.

Important: Clean the steam nozzle (D) immediately after frothing the milk by rotating the steam knob (H) allowing the appliance to produce steam for a few seconds to clean out the nozzle (D) (Attention: risks of burns).

Unscrew the attachment from the cappuccino tube (fig.6) and wipe outside of spout with a damp non-abrasive cloth (Caution: do not remove or reinstall the steam nozzle when hot!). The attachment can be washed under running water.

FROM CAPPUCCINO BACK TO COFFEE

Press the steam button (M) (turn off) and its corresponding light will stop flashing allowing the appliance to cool. At that moment press the espresso button (K) and simultaneously rotate the steam control knob (H) allowing water to flow out from steam nozzle. Close the water and steam control knob (H) when the warning light (P) turns on again. Start making espresso when the warning light of the espresso button goes out. This indicates the appliance is reaching the optimal temperature for making espresso.

HOW TO MAKE TEA OR HOT WATER DRINKS

After having carried out the operations of chapter “BEFORE USE”, place a cup under the steam nozzle (D) and press the espresso button (K). At the same time turn the steam control knob to get hot water out of the steam nozzle (D).

CLEANING

Cleaning of the filter: can be washed in the dish washer (top basket away from the heater). In case the holes are blocked by sediments of ground coffee you can also clean them with a small brush. (fig.7)

Cleaning of filter holder screen / housing: The sediments of ground coffee can be removed with a toothpick (fig.8).

Cleaning the cappuccino maker: See paragraph “Preparing Cappuccino”

TROUBLE**POSSIBLE REASONS**

No boiling water

- Please verify there is water in the water tank
- Open the steam control knob (H) after having placed a cup under the steam nozzle and press the espresso button (K) to eliminate the air in the hydraulic circuit. When water will come out from the steam nozzle (D), please turn off the steam control knob (H) and press the espresso button (K) again.
- If both solutions did not re-establish the supply of boiling water, go to an authorized repairing centre.

No steam

- Clean / remove any incrustation formed in the steam nozzle with a needle or a pin.
- Please verify water level in the water tank.

Coffee overflowing from the edges of the filter holder

- If the coffee pod is broken, the powder might block the filter which lead to coffee overflowing from the edges of the filter holder. Check if the filter or filter holder is blocked by the powder. If yes, clean the filter and the filter holder.

No outflow of coffee or too slowly

- Does the filter contain coffee pod?
- The filter holes are blocked / the shower disc is blocked (in both cases, please clean them as described in 'CLEANING').